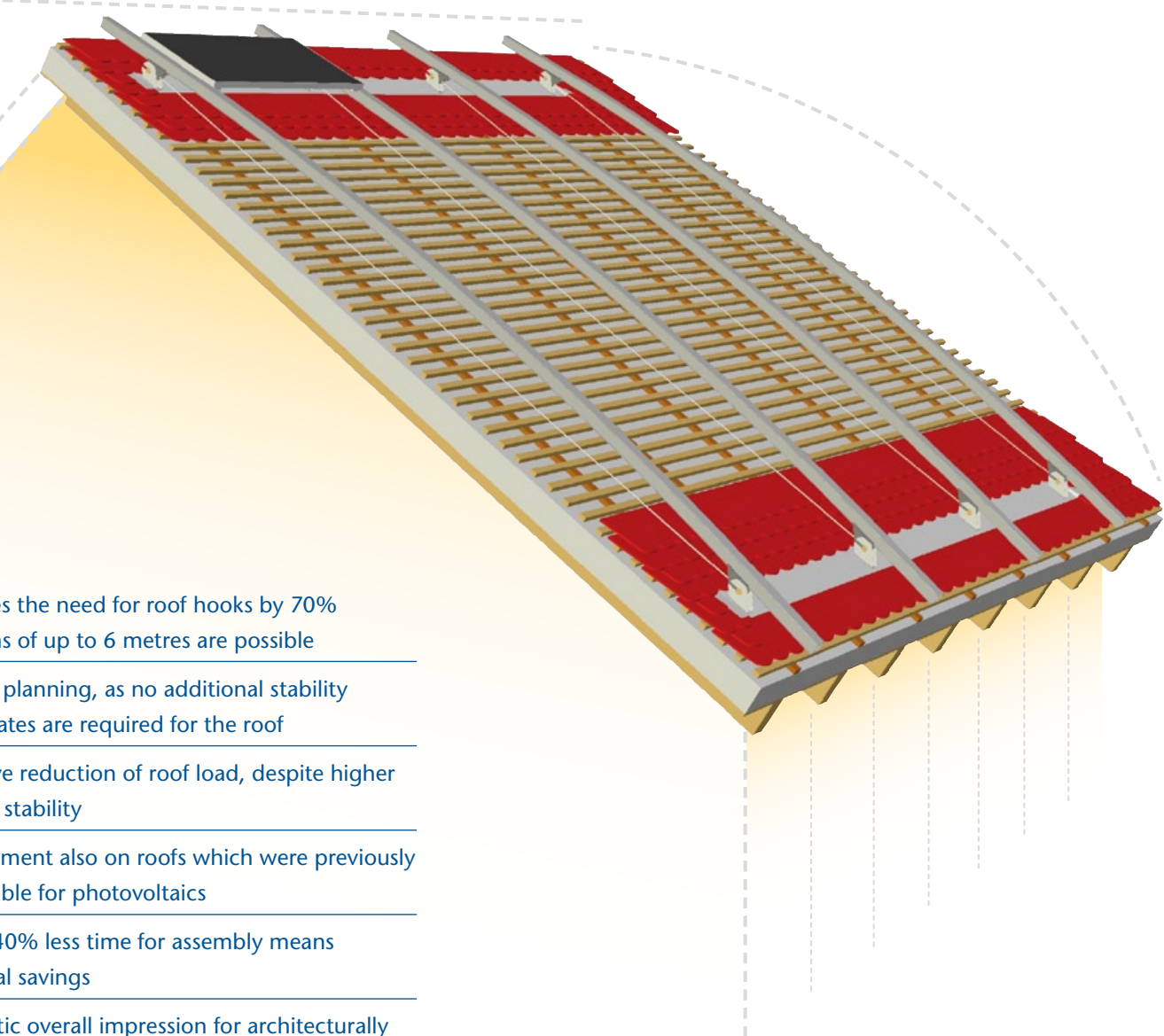


## PHOENIX POWER BRIDGE: Functional Solar Aesthetics for Practically Every Roof

- 
- Reduces the need for roof hooks by 70% as spans of up to 6 metres are possible
  - Simple planning, as no additional stability certificates are required for the roof
  - Effective reduction of roof load, despite higher system stability
  - Deployment also on roofs which were previously unsuitable for photovoltaics
  - Up to 40% less time for assembly means financial savings
  - Aesthetic overall impression for architecturally sophisticated solutions

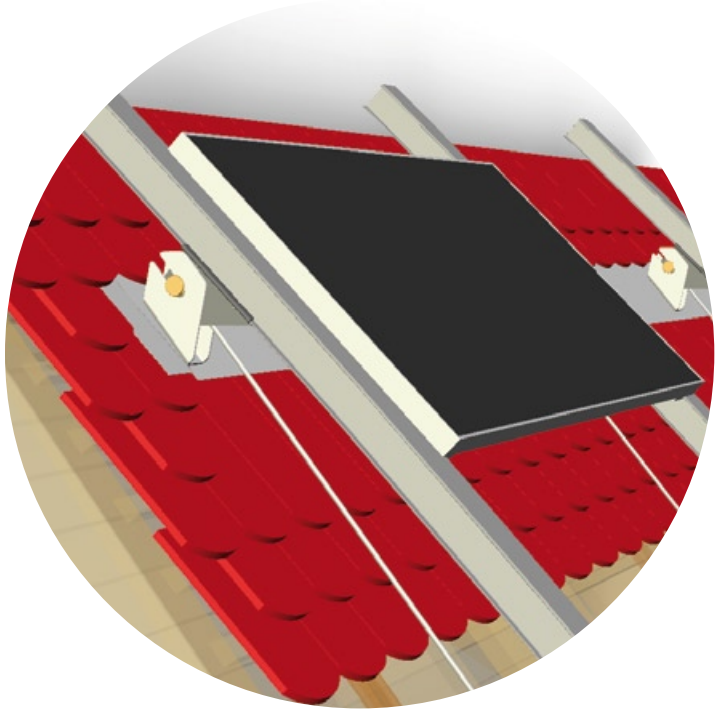
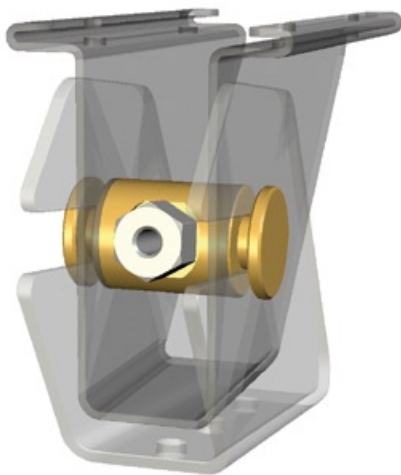
# THE KEY LIES IN THE DETAIL

With Phoenix Power Bridge you will be able to bridge the gap between an innovative functional frame solution and an aesthetically-sophisticated design. In our capacity as system supplier, we are familiar with the special requirements of the individual components. With this solar module frame, developed in-house, we are able to supply you with the result of our extensive experience as well as our high standard of expertise in design and engineering. As a result, Phoenix Power Bridge is a winning solution for all of your particular requirements.

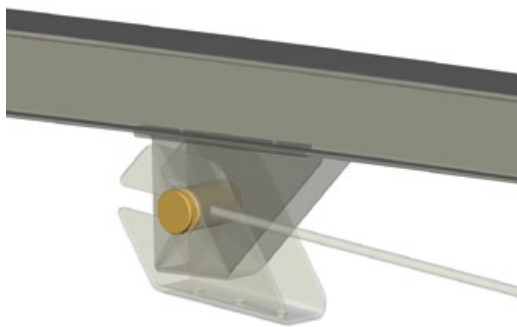
## Roof hook components



## Complete roof hooks



## Rail attachment



With Phoenix Power Bridge, spans of up to 6 metres are possible. This reduces the need for roof hooks by 70%.

Phoenix Solar AG  
Hirschbergstraße 8, 85254 Sulzemoos, Germany  
Tel. +49 (0) 8135 938-000, Fax +49 (0) 8135 938-199  
sales@phoenixsolar.com

[www.phoenixsolar.com](http://www.phoenixsolar.com)

Making energy together